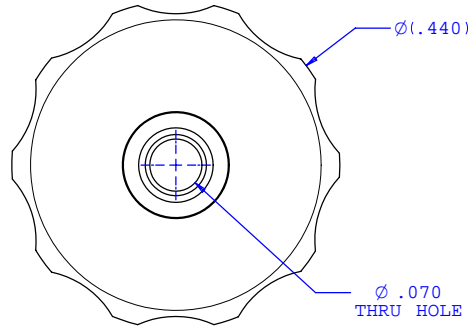
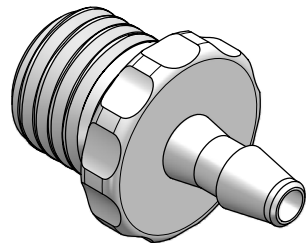
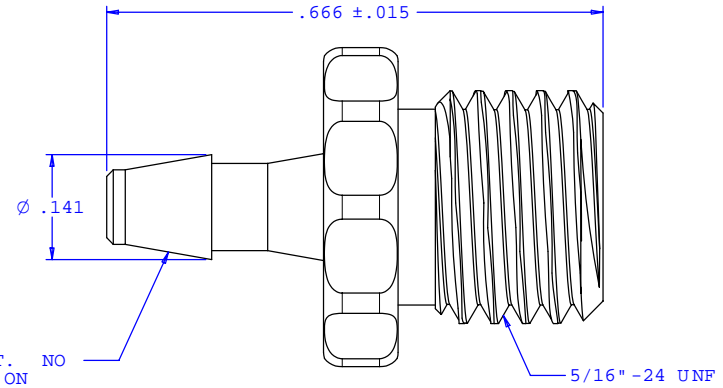


NOTE: FOR MORE DETAILS SEE YOUR V.P. CUSTOMER SERVICE REP.

| REVISIONS | | | |
|-----------|------------------------|----------|----------|
| REV. | DESCRIPTION | DATE | APPROVED |
| A | INITIAL RELEASE | 11-18-98 | |
| B | CO 018 Drafting Update | 07-11-05 | Rick C. |



INSTRUMENT QUALITY PART.
PARTING LINE PERMITTED ON
THIS CONICAL SURFACE



| | | | |
|---|---|--|-------------------------------|
| UNLESS OTHERWISE SPECIFIED DIMENSIONS ARE IN INCHES TOLERANCES ARE: | | VALUE PLASTICS, INC. | |
| FRACTIONS ± | DECIMALS .XX ±.01 .XXX ±.005 .XXXX ±.001 | ANGULAR ±1° | PART NUMBER: BPC220 |
| DO NOT SCALE DRAWING | | DESCRIPTION: Blood Pressure Adapter with 5/16-24 UNF Thread to 200 Series Barb, 3/32" (2.25 mm) ID Tubing | |
| DRAWN BY: Frank Lombardi | DATE: 06-06-05 | SIZE: B | SCALE: NTS |
| Engineer/Manager: Rick Cairns | | DRAWING NUMBER: 1006857 | REV. B |
| | | © 2005 VALUE PLASTICS, INC. | SHEET: 1 OF 1 |

FOR REFERENCE ONLY